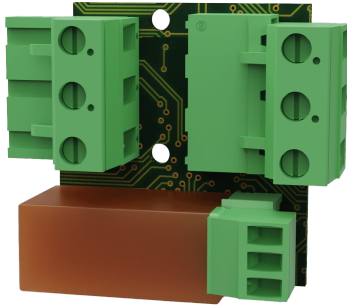


TECHNICAL SPECIFICATIONS

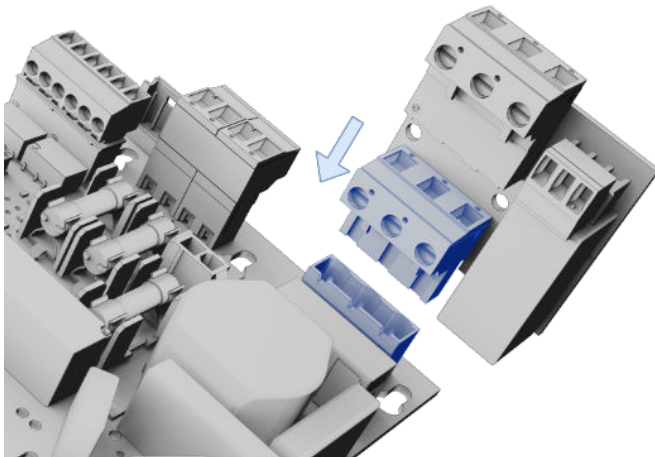


ECO mains failure alarm card is an alarm card for monitoring mains failure. The alarm card can be inserted into 24 V battery backups ECO M and ECO FLX S.

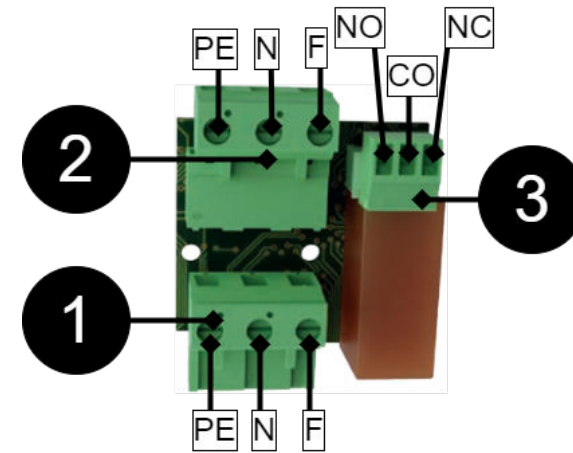
INSTALLATION AND CONNECTION

1. Mount the card on the motherboard in the battery backup.
2. Connect the mains.

ECO Main failure alarm card



Push the card down onto the motherboard in the battery backup.



No	Explanation
1	Terminal that meets motherboard in battery backup, protective earth (PE), Neutral (N), Phase (F).
2	Terminal for incoming mains, protective earth (PE), Neutral (N), Phase (F).
3	Alarm output, NO/CO/NC.

Connect Phase, Neutral and Ground as the picture shows.

**Warning**

Do not cross cables - risk of equipment damage.

TECHNICAL DATA

Item number	A-AL1224ECO01 card
Product description	Alarm card for ECO M and ECO FLX S. Alarm on changing relay.
Measure	21 x 55 x 42 mm
Own energy consumption	N/A
Tension, in	27.3V DC
Alarm output:	Mains failure NC/CO/NO

Technical data

Recommended environment	Environmental class 1, Indoor, 20% ~ 90% relative humidity
The products meet the requirements according to	EMC Directive 2014/30EU, Low Voltage directive: 2014/35/EU CE directive according to 765/2008, Emission: EN61000-6-:2001, EN55022:1998:-A1:2000, A2:2003 Class B, EN61000-3 -2:2001. Immunity: EN61000-6-2:2005, EN61000-4-2, -3, 4, -5, -6, -11.

Technical data

Guarantee	2 years
-----------	---------

Manufactured in Milleteknik's factory in Partille, Sweden.

This translation is not verified and should be cross referenced with the swedish original before use.

User manual article number: 350-243

This document is subject to change without notice.

All information is published subject to typographical errors.

ABOUT TRANSLATION OF THIS DOCUMENT

User manual and other documents are in the original language in Swedish.
Other languages are machine translated and not reviewed, errors may occur.

ADDRESS AND CONTACT DETAILS

Milleteknik AB
 Ögärdesvägen 8 B
 S-433 30 Partille
 +46 31 340 02 30
 www.milleteknik.com